

SANY Crawler Crane Top Roller



1. SANY Top Roller /Upper Roller /Carrier Roller Specification:

Technology	Forged Crawler Crane Top Roller
Feature	Heat treated Top Roller
Material	40Mn2,50Mn
Bearing Type	Rolling
Warranty	2000 Working Hours
Hot-Sale	SCC500 Top Roller, SCC800C Upper Roller,

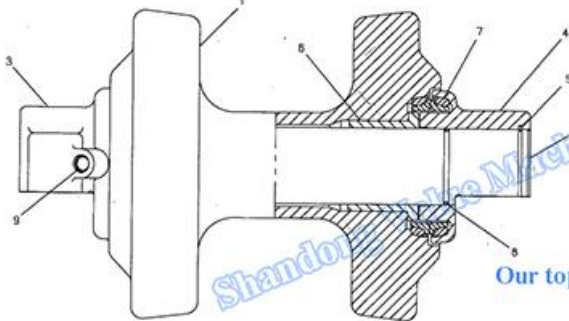
2. SANY Top Rollers are suitable for those model:

SANY	SCC500, SCC550E, SCC600E, SCC750E, SCC800, SCC900E, SCC1000, SCC1100E, SCC1350E, SCC1500D, SCC1800, SCC2000, SCC2500, SCC2800, SCC3200, SCC4000, SCC5000, SCC6500A, SCC7500, SCC8100-2, SCC8150, SCC8200, SCC8300, SCC8260, SCC10000, .etc
------	--------------------------------------------------------------------------------------------------------------------------------------------------------------------------------------------------------------------------------------------

3. SANY Upper Roller Assembly:

1). Our Upper roller assembly includes Roller, Pin, Collar, Ring, Bushing, Seal, Floating, O-Ring, Plug.

Top Roller/Upper Roller Assy



符号 ITEM	部品番号 PART No.	PART NAME	部品名	数量 QTY
	JJ64000002F1	ROLLER ASSY, UPP	ロ-ラ アッパ, 790"	1
1	JJ64001006P1	ROLLER	ロ-ラ	1
2	2419K30	PIN	ピン	1
3	2416N187001	COLLAR	コラ-	1
4	2416N187002	COLLAR	コラ-	1
5	R16T03R2	RING	リング	4
6	2405P200C1	BUSHING	ブッシング	2
7	Z058F09532	SEAL, FLOATING	シ-ル, フロ-ティン	2
8	Z011G06000	O-RING	O-リング	2
9	Z182T04000	PLUG	プラグ	2

Our top roller assembly include all listed parts: 1, 2, 3, 4, 5, 6, 7, 8, 9.

4. Package information and Details:

Generally, SANY top rollers are packed in Pallet Covered With Thin Film and Sticker.

PACKAGE & DELIVERY



2 Pallets/Package



Each Pallet Covered With Thin Film and Sticker



Parts in the Container



Parts are delivered to Port

FAQ

Q Does the crawler crane Top roller and pin have heat treatment?

- Yes, all the top roller and pin undergo heat treatment, hardening and tempering.

Q What is the warranty period of the top roller?

- Crawler Crane Top Roller warranty period is 2000 working hours.
- After delivery, we will issue quality certificate. If the Top Roller are damaged under normal use in warranty period, new one will be send to you as soon as possible.

Q How long is the delivery time?

- We have parts storehouse covered the area of 3000m².
- Most parts are available in stock. If no stock, we will delivery the parts in 15-25 days after getting your final purchasing order.

Q Do you provide samples?

- Yes, we can offer part samples, but the cost shall be borne by you.

Q Can you produce parts according to sample or drawing?

- Yes, our engineers have rich experience in undercarriage parts, they will choose the suitable material and production technology for you.

Shandong Value Machinery Manufacture Co.,LTD

Add : NO.1 Tianzheng Road,Laishan District,Yantai City,Shandong Province,China

Tel : +86 535 6710636

Fax : +86 535 6710836

E-mail : info@valuetrackpart.com

Website : www.valuetrackparts.com